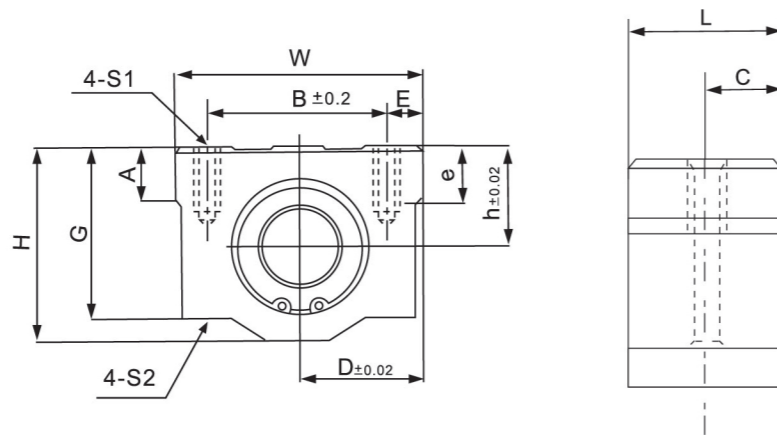


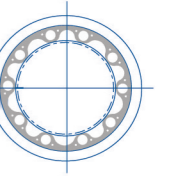
## SC\_S系列 Slide unit SC\_S Series (SMA\_S Type)



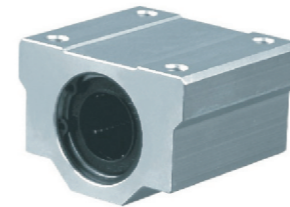
SC□S



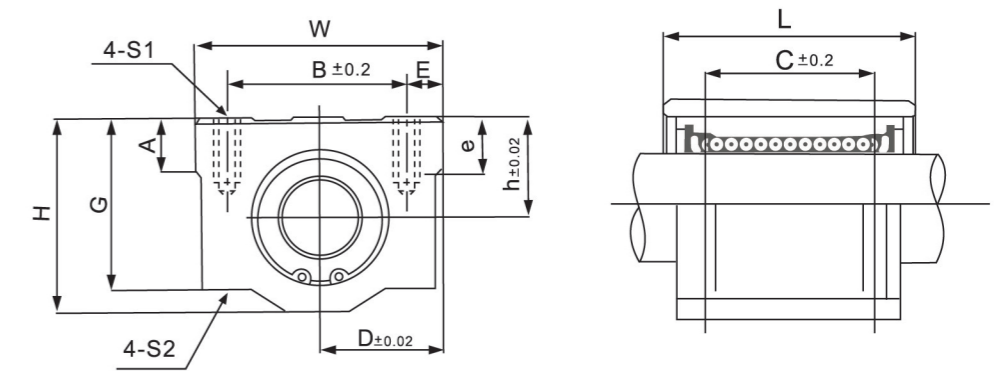
| 型号<br>Part No. | 主要尺寸和公差<br>Main dimensions (mm) |    |     |      |      |    |      |      |        |     |       |      | 额定负荷<br>Basic Load Rating |         | 重量<br>Weight (g) |
|----------------|---------------------------------|----|-----|------|------|----|------|------|--------|-----|-------|------|---------------------------|---------|------------------|
|                | h                               | D  | W   | H    | G    | A  | B    | E    | S1xe   | S2  | C     | L    | C<br>N                    | Co<br>N |                  |
| SC8SUU         | 11                              | 17 | 34  | 22   | 18   | 6  | 24   | 5    | M4X8   | 3.4 | 7.7   | 15.4 | 274                       | 392     | 27               |
| SC10SUU        | 13                              | 20 | 40  | 26   | 21   | 8  | 28   | 6    | M5X12  | 4.3 | 9.95  | 19.9 | 372                       | 549     | 53               |
| SC12SUU        | 15                              | 21 | 42  | 28   | 24   | 8  | 30.5 | 5.75 | M5X12  | 4.3 | 10.45 | 20.9 | 510                       | 784     | 60               |
| SC13SUU        | 15                              | 22 | 44  | 30   | 24.5 | 8  | 33   | 5.5  | M5X12  | 4.3 | 10.45 | 20.9 | 510                       | 784     | 64               |
| SC16SUU        | 19                              | 25 | 50  | 38.5 | 32.5 | 9  | 36   | 7    | M5X12  | 4.3 | 12    | 24   | 774                       | 1180    | 110              |
| SC20SUU        | 21                              | 27 | 54  | 41   | 35   | 11 | 40   | 7    | M6X12  | 5.2 | 14    | 28   | 882                       | 1370    | 144              |
| SC25SUU        | 26                              | 38 | 76  | 51.5 | 42   | 12 | 54   | 11   | M8X18  | 7   | 18.9  | 37.8 | 980                       | 1570    | 340              |
| SC30SUU        | 30                              | 39 | 78  | 59.5 | 49   | 15 | 58   | 10   | M8X18  | 7   | 20.65 | 41.3 | 1574                      | 2740    | 424              |
| SC35SUU        | 34                              | 45 | 90  | 68   | 54   | 18 | 70   | 10   | M8X18  | 7   | 22.65 | 45.3 | 1670                      | 3140    | 626              |
| SC40SUU        | 40                              | 51 | 102 | 78   | 62   | 20 | 80   | 11   | M10X25 | 8.7 | 28.15 | 56.3 | 2160                      | 4020    | 1000             |
| SC50SUU        | 52                              | 61 | 122 | 102  | 80   | 25 | 100  | 11   | M10X25 | 8.7 | 34.4  | 68.8 | 3820                      | 7940    | 2100             |



## SC系列 Slide unit SC Series (SMA Type)



SC



| 型号<br>Part No. | 主要尺寸和公差<br>Main dimensions (mm) |    |     |      |      |    |      |      |        |     |    |     | 额定负荷<br>Basic Load Rating |         | 重量<br>Weight (g) |
|----------------|---------------------------------|----|-----|------|------|----|------|------|--------|-----|----|-----|---------------------------|---------|------------------|
|                | h                               | D  | W   | H    | G    | A  | B    | E    | S1xe   | S2  | C  | L   | C<br>N                    | Co<br>N |                  |
| SC8UU          | 11                              | 17 | 34  | 22   | 18   | 6  | 24   | 5    | M4X8   | 3.4 | 18 | 30  | 274                       | 392     | 52               |
| SC10UU         | 13                              | 20 | 40  | 26   | 21   | 8  | 28   | 6    | M5X12  | 4.3 | 21 | 35  | 372                       | 549     | 92               |
| SC12UU         | 15                              | 21 | 42  | 28   | 24   | 8  | 30.5 | 5.75 | M5X12  | 4.3 | 26 | 36  | 510                       | 784     | 102              |
| SC13UU         | 15                              | 22 | 44  | 30   | 24.5 | 8  | 33   | 5.5  | M5X12  | 4.3 | 26 | 39  | 510                       | 784     | 120              |
| SC16UU         | 19                              | 25 | 50  | 38.5 | 32.5 | 9  | 36   | 7    | M5X12  | 4.3 | 34 | 44  | 774                       | 1180    | 200              |
| SC20UU         | 21                              | 27 | 54  | 41   | 35   | 11 | 40   | 7    | M6X12  | 5.2 | 40 | 50  | 882                       | 1370    | 255              |
| SC25UU         | 26                              | 38 | 76  | 51.5 | 42   | 12 | 54   | 11   | M8X18  | 7   | 50 | 67  | 980                       | 1570    | 600              |
| SC30UU         | 30                              | 39 | 78  | 59.5 | 49   | 15 | 58   | 10   | M8X18  | 7   | 58 | 72  | 1574                      | 2740    | 735              |
| SC35UU         | 34                              | 45 | 90  | 68   | 54   | 18 | 70   | 10   | M8X18  | 7   | 60 | 80  | 1670                      | 3140    | 1100             |
| SC40UU         | 40                              | 51 | 102 | 78   | 62   | 20 | 80   | 11   | M10X25 | 8.7 | 60 | 90  | 2160                      | 4020    | 1590             |
| SC50UU         | 52                              | 61 | 122 | 102  | 80   | 25 | 100  | 11   | M10X25 | 8.7 | 80 | 110 | 3820                      | 7940    | 3340             |