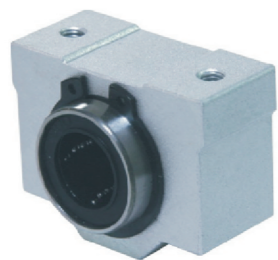


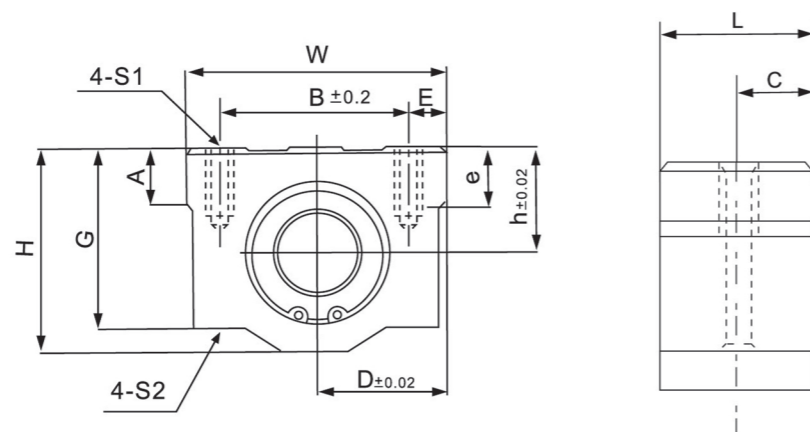
KBA_S系列

Slide unit KBA_S Series

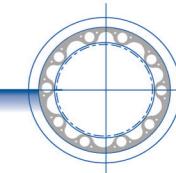
(SC_V Type)



KBA□S



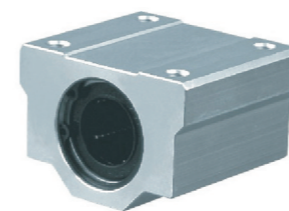
型号 Part No.	主要尺寸和公差 Main dimensions (mm)												额定负荷 Basic Load Rating		重量 Weight (g)
	h	D	W	H	G	A	B	E	S1xe	S2	C	L	C N	Co N	
KBA8SUU	11	17	34	22	18	6	24	5	M4X8	3.4	7.2	14.4	274	392	25
KBA12SUU	15	22	44	30	24.5	8	33	5.5	M5X12	4.3	10.4	20.8	510	784	65
KBA16SUU	19	25	50	38.5	32.5	9	36	7	M5X12	4.3	11.2	22.4	774	1180	100
KBA20SUU	21	27	54	41	35	11	40	7	M6X12	5.2	14.5	29	882	1370	148
KBA25SUU	26	38	76	51.5	42	12	54	11	M8X18	7	20.45	40.9	980	1570	368
KBA30SUU	30	39	78	59.5	49	15	58	10	M8X18	7	24.45	48.9	1574	2740	500
KBA40SUU	40	51	102	78	62	20	80	11	M10X25	8.7	28.2	56.4	2160	4020	1000
KBA50SUU	52	61	122	102	80	25	100	11	M10X25	8.7	36.2	72.4	3820	7940	2205



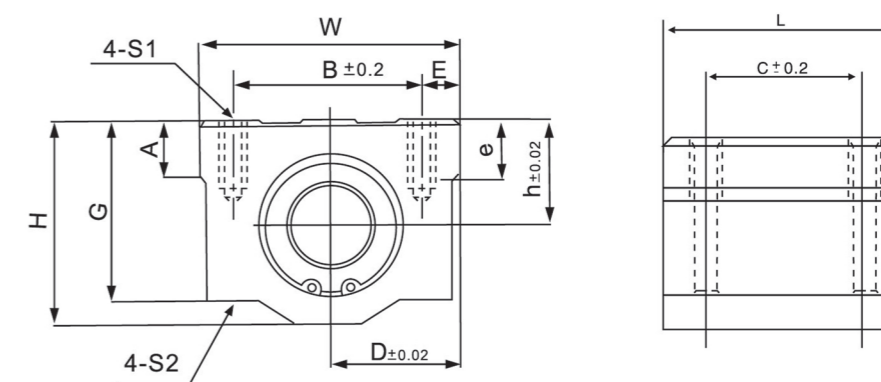
KBA系列

Slide Unit KBA Series

(SCE Type)



KBA



型号 Part No.		主要尺寸和公差 Main Dimensions (mm)												重量 Weight (g)
Seal Type	Shaft Diameter	h	D	W	L	H	G	T	B	C	E	S1xe	S2	
KBA10UU	10	13	20	40	35	26	21	8	28	21	6	M5x12	4.3	92
KBA12UU	12	15	22	44	39	30	24.5	8	33	26	5.5	M5x12	4.3	120
KBA16UU	16	19	25	50	44	38.5	32.5	9	36	34	7	M5x12	4.3	200
KBA20UU	20	21	27	54	53	41	35	11	40	40	7	M6x12	5.2	270
KBA25UU	25	26	38	76	67	51.5	42	12	54	50	11	M8x18	7	600
KBA30UU	30	30	39	78	76	59.5	49	15	58	58	10	M8x18	7	776
KBA40UU	40	40	51	102	90	78	62	20	80	60	11	M10x25	8.7	1590
KBA50UU	50	52	61	122	110	102	80	25	100	80	11	M10x25	8.7	3340
KBA60UU	60	58	66	132	137	114	94	30	108	90	12	M12x25	10.7	4800