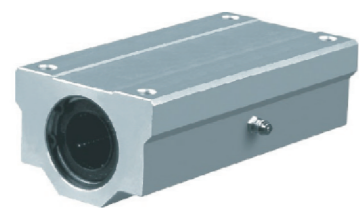
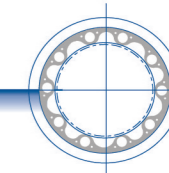
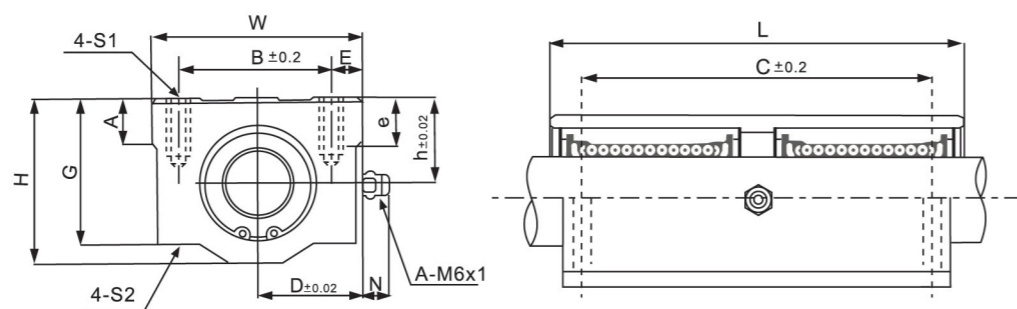


## KBA\_L系列

### Slide Unit KBA\_L Series

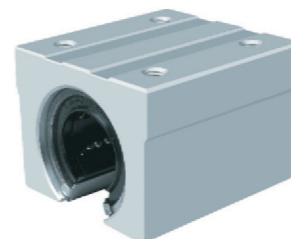


KBA□L

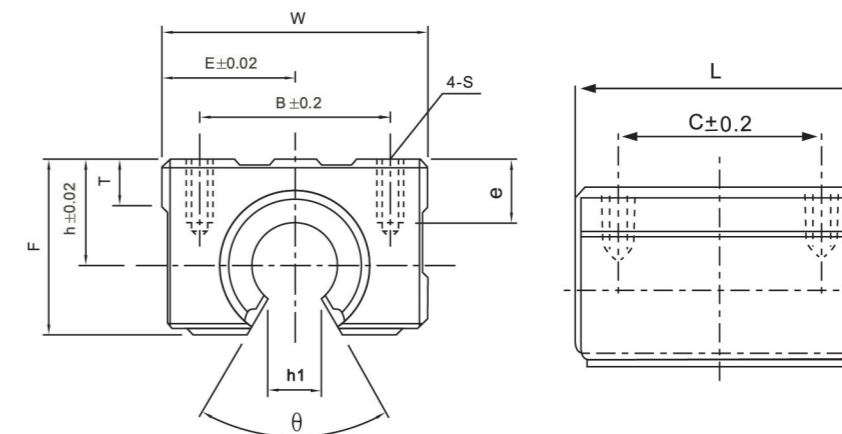


## KBE系列

### Slide Unit KBE Series



KBE



型号 Part No.		主要尺寸和公差 Main Dimensions (mm)											重量 Weight (g)	
Seal Type	Shaft Diameter	h	D	W	L	H	G	T	B	C	E	S1xe	S2	
KBA10LUU	10	13	20	40	68	26	21	8	28	46	6	M5x12	4.3	180
KBA12LUU	12	15	22	44	77	30	24.5	8	33	64	5.5	M5x12	4.3	237
KBA16LUU	16	19	25	50	89	38.5	32.5	9	36	79	7	M5x12	4.3	405
KBA20LUU	20	21	27	54	100	41	35	11	40	90	7	M6x12	5.2	510
KBA25LUU	25	26	38	76	136	51.5	42	12	54	119	11	M8x18	7	1220
KBA30LUU	30	30	39	78	154	59.5	49	15	58	132	10	M8x18	7	1580
KBA40LUU	40	40	51	102	180	78	62	20	80	150	11	M10x25	8.7	3180
KBA50LUU	50	52	61	122	230	102	80	25	100	200	11	M10x25	8.7	6990

型号 Part No.		主要尺寸和公差 Main Dimensions (mm)											额定负荷 Basic Load Rating		重量 Weight (g)
Seal Type	Shaft Diameter	h	D	W	L	H	T	h1	θ	B	C	Sxe	C N	Co N	
KBE16UU	16	20	22.5	45	45	33	9	10	80°	32	30	M5x12	774	1180	150
KBE20UU	20	23	24	48	50	39	11	10	60°	35	35	M6x12	882	1370	200
KBE25UU	25	27	30	60	65	47	14	11.5	60°	40	40	M6x12	980	1570	450
KBE30UU	30	33	35	70	70	56	15	14	60°	50	50	M8x18	1570	2740	630
KBE40UU	40	42	45	90	90	72	20	19	60°	65	65	M10x20	2160	4020	1330
KBE50UU	50	53	60	120	110	92	25	23	60°	94	80	M10x20	3820	7940	3000