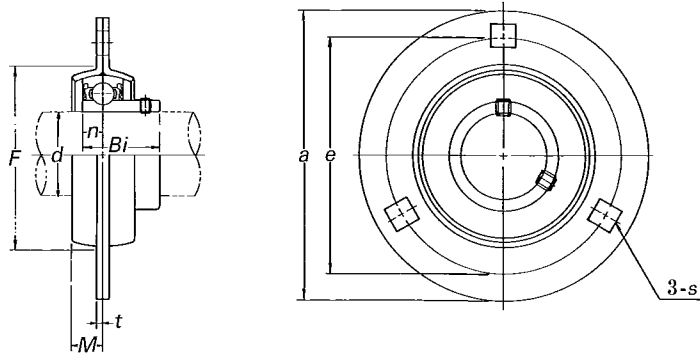


ROUND FLANGE UNITS (Pressed Steel Housing)

SBPF 200 SERIES

set screw locking



UNIT NO.	SHAFT DIA. <i>d</i>		BEARING NO.	DIMENSIONS <small>inch mm</small>								BOLT SIZE <small>inch mm</small>	HOUSING NO.	WEIGHT kg	
	inch	mm		<i>a</i>	<i>e</i>	<i>M</i>	<i>t</i> (mm)	<i>s</i>	<i>F</i> (min.)	<i>Bi</i>	<i>n</i>				
SBPF201		12	SB201												
201-08	1/2		201-08												
202-09	5/8		202-09												
202		15	202	3 3/32	2 33/64	9/32	2	7.5	1 15/16	0.8661	0.2362	1/4	PF203	0.27	
202-10	3/4		202-10	82	64	7						M6			
203		17	203												
203-11	1 1/8		203-11												
SBPF204-12	3/4		SB204-12												
204		20	204	3 13/32	2 51/64	1/32	2	9	2 3/32	0.9843	0.2756	5/16	PF204	0.33	
SBPF205-14	1/2		SB205-14												
205-15	1 1/16		205-15												
205		25	205	3 3/4	2 63/64	1/32	2	9	2 3/8	1.0630	0.2953	5/16	PF205	0.38	
205-16	1		205-16	95	76	10						M8			
SBPF206-18	1 1/8		SB206-18												
206		30	206	4 1/16	3 35/64	1/16	2.6	10.5	2 25/32	1.1811	0.3150	3/8	PF206	0.62	
206-19	1 1/16		206-19	113	90	11.5						M10			
SBPF207-20	1 1/4		SB207-20												
207-21	1 1/16		207-21												
207-22	1 3/8		207-22												
207		35	207	4 1/16	3 1/16	1/2	2.6	10.5	3 3/16	1.2598	0.3346	3/8	PF207	0.82	
207-23	1 1/16		207-23	122	100	13						M10			

Note: 1) See page 154 for detail dimensions and basic load ratings of insert bearings.