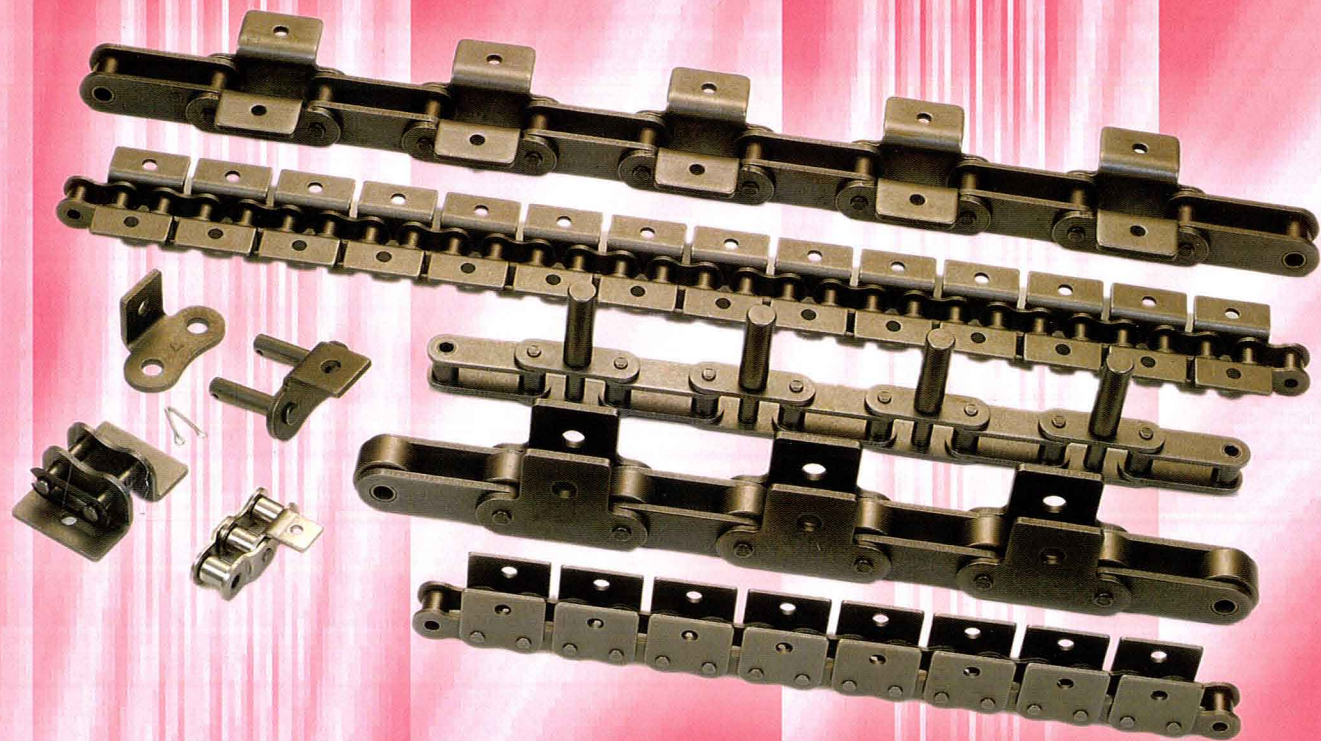
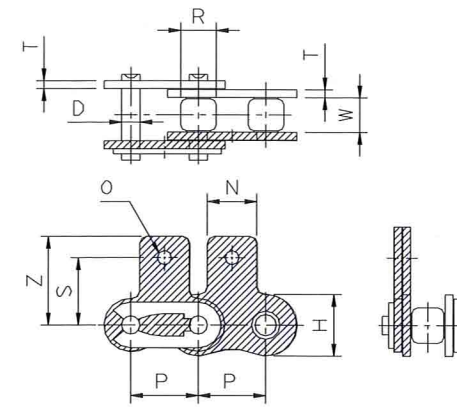


# Attachments Chains

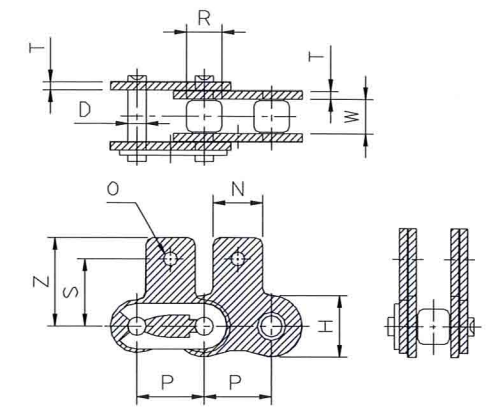


## ROLLER CHAIN ATTACHMENTS

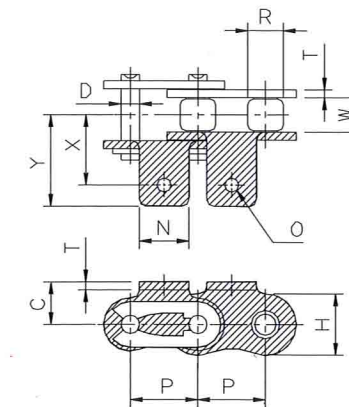
SA1



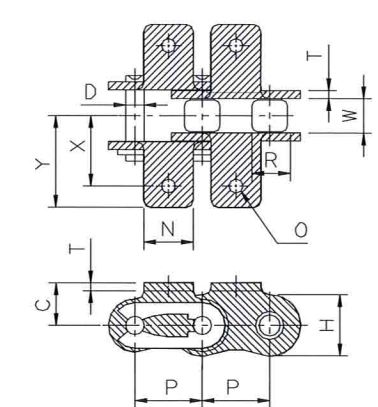
SK1



A1



K1

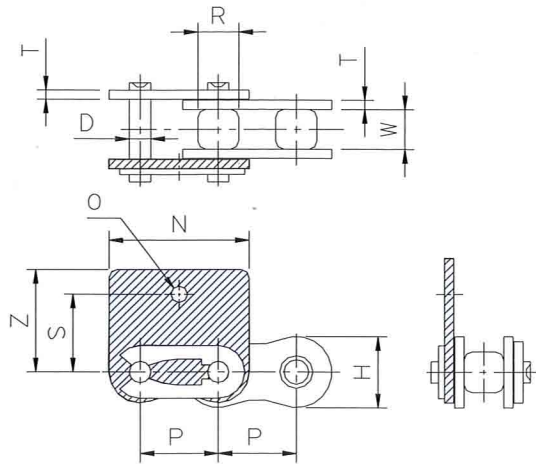


CHAIN NO.	Pitch		Width	Roller	Plate	Pin	Attachment								Average Ultimate Strength kgf	
	P		W	Dia	Height	Thick.	Dia	A-1,K-1				SA-1,SK-1				
	inch	mm	mm	R	H	T	D	N	O	C	X	Y	S	Z		
35	3/8"	9.525	4.78	5.08	9.00	1.20	3.59	7.90	2.70	3.40	6.35	9.50	14.30	9.50	14.55	1050
41	1/2"	12.70	6.35	7.77	9.70	1.20	3.58	9.50	3.30	---	---	---	12.24	17.73	1200	
40	1/2"	12.70	7.94	7.92	11.80	1.50	3.96	9.50	3.60	8.00	12.70	17.80	12.70	17.40	1850	
50	5/8"	15.875	9.53	10.16	14.80	2.00	5.06	12.70	5.20	10.30	15.90	23.40	15.90	23.05	3100	
60	3/4"	19.05	12.70	11.91	17.50	2.40	5.95	15.90	5.20	11.90	19.05	28.20	18.30	26.85	4400	
80	1"	25.40	15.88	15.88	24.00	3.10	7.94	19.10	6.80	15.90	25.40	36.60	24.60	35.45	7800	
100	1-1/4"	31.75	19.05	19.05	30.10	3.90	9.52	25.40	8.70	19.80	31.75	44.90	31.80	44.00	11800	
120	1-1/2"	38.10	25.40	22.23	35.00	4.70	11.10	28.60	9.90	23.00	38.10	55.80	36.50	52.85	15500	
160	2"	50.80	31.75	28.58	48.00	6.40	14.28	38.10	13.20	31.80	50.80	71.80	50.80	70.10	27500	

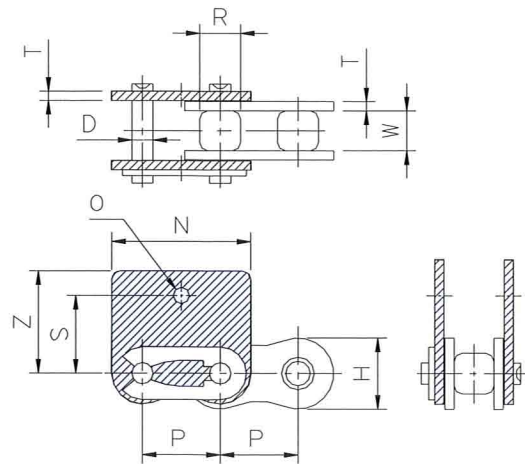
Consult MAXTOP about special spec.

# ROLLER CHAIN ATTACHMENTS

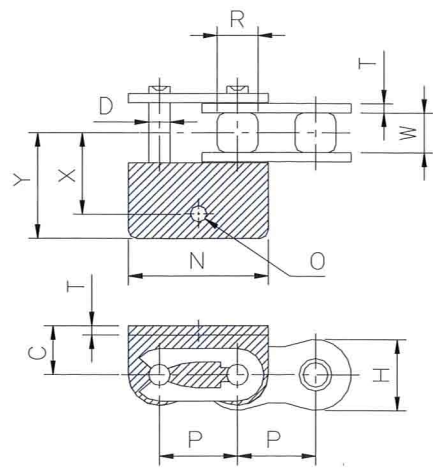
WSA1



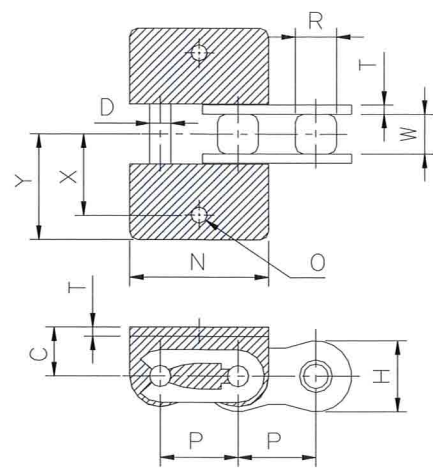
WSK1



WA1

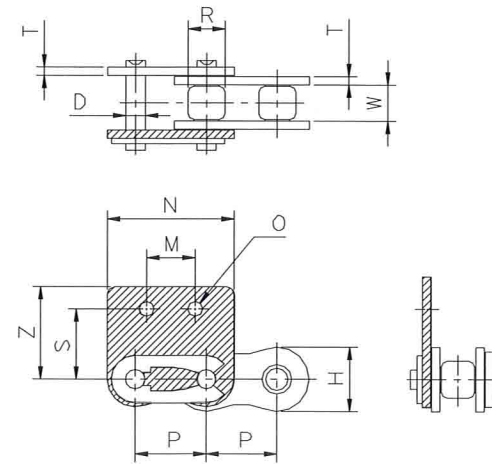


WK1

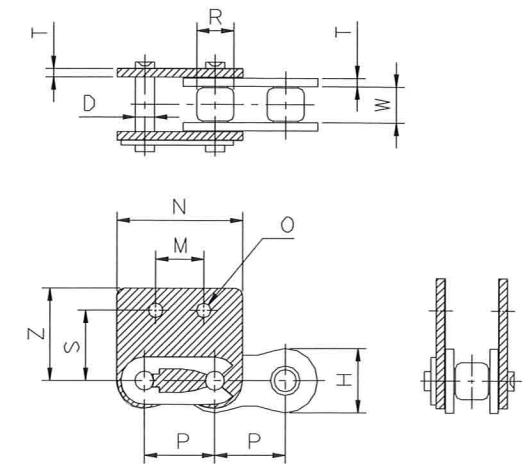


# ROLLER CHAIN ATTACHMENTS

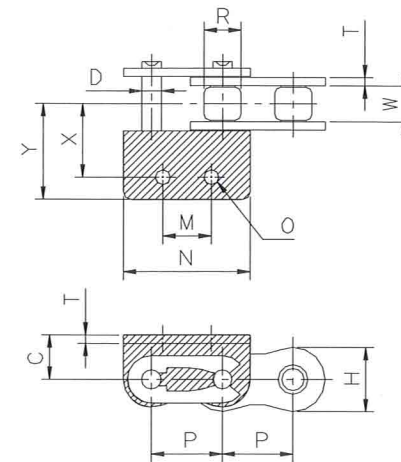
WSA2



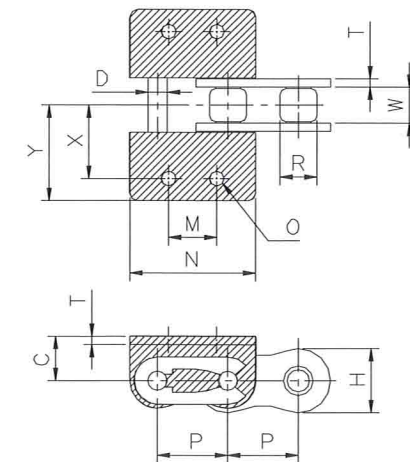
WSK2



WA2



WK2



CHAIN NO.	Pitch		Width	Roler	Plate			Pin	Attachment								Average Ultimate Strength kgf
	P		W	Dia	Height	Thick.	Dia	WA1, WK1		WSA1, WSK1							
	inch	mm	mm	R	H	T	D	N	O	C	X	Y	S	Z			
35	3/8"	9.525	4.78	5.08	9.00	1.20	3.59	17.10	3.50		6.35	9.50	14.30	9.50	13.80	1050	
40	1/2"	12.70	7.94	7.92	11.80	1.50	3.96	22.90	3.30	4.50	8.00	12.70	17.80	12.70	17.40	1850	
50	5/8"	15.875	9.53	10.16	14.80	2.00	5.06	28.70	5.10	5.50	10.30	15.90	23.40	15.90	23.05	3100	
60	3/4"	19.05	12.70	11.91	17.50	2.40	5.95	34.60	6.60		11.90	19.05	28.20	18.30	26.85	4400	
80	1"	25.40	15.88	15.88	24.00	3.10	7.94	45.70	6.80\9.00	9.00	15.90	25.40	36.60	24.60	35.45	7800	
100	1-1/4"	31.75	19.05	19.05	30.10	3.90	9.52	56.55	11.00		19.80	31.75	44.90	31.80	44.00	11800	
120	1-1/2"	38.10	25.40	22.23	35.00	4.70	11.10	68.10	9.90		23.00	38.10	55.80	36.50	52.85	15500	
160	2"	50.80	31.75	28.58	48.00	6.40	14.28	90.70	13.20		31.80	50.80	71.80	50.80	70.10	27500	

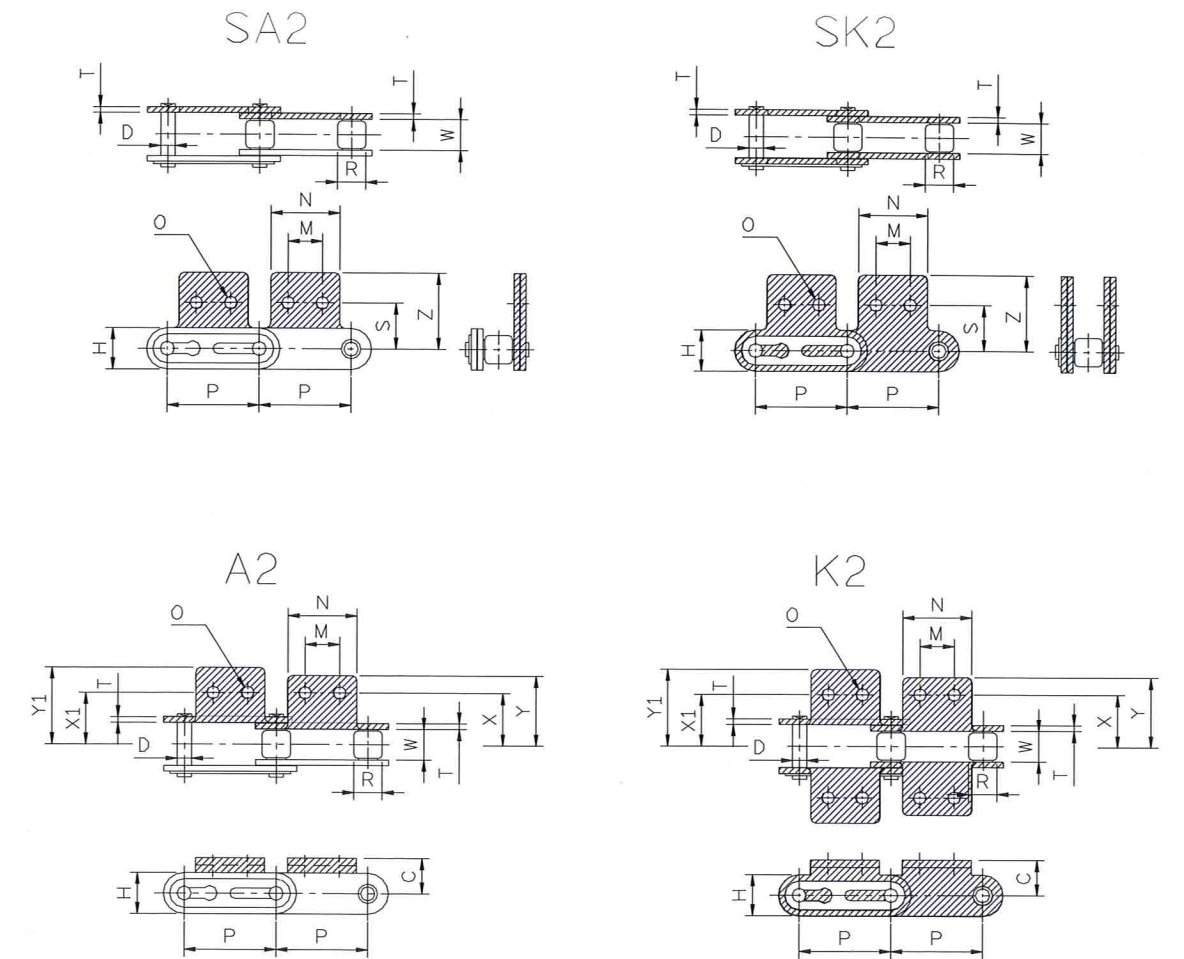
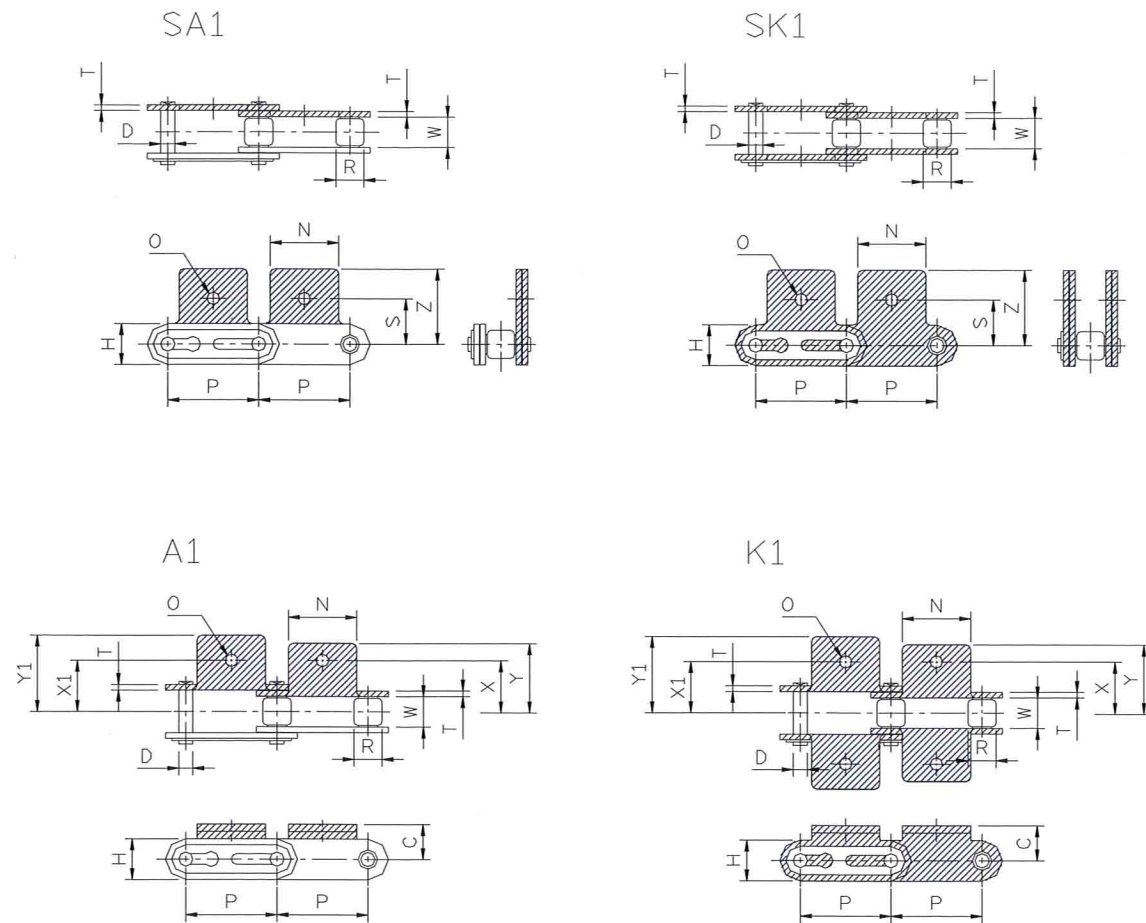
Consult MAXTOP about special spec.

CHAIN NO.	Pitch		Width	Roler	Plate			Pin	Attachment								Average Ultimate Strength kgf	
	P		W	Dia	Height	Thick.	Dia	WA2, WK2		WSA2, WSK2								
	inch	mm	mm	R	H	T	D	M	N	O	C	X	Y	S	Z			
35	3/8"	9.525	4.78	5.08	9.00	1.20	3.59	9.50	17.10	3.30	6.35	9.50	14.30	9.50	13.80	1050		
40	1/2"	12.70	7.94	7.92	11.80	1.50	3.96	9.50	22.90	3.30	4.50	8.00	12.70	17.80	12.70	17.60	1850	
50	5/8"	15.875	9.53	10.16	14.80	2.00	5.06	11.90	28.70	5.10	5.50	10.30	15.90	23.40	15.90	23.05	3100	
60	3/4"	19.05	12.70	11.91	17.50	2.40	5.95	14.30	34.60	5.10	6.60	11.90	19.05	28.20	18.30	26.85	4400	
80	1"	25.40	15.88	15.88	24.00	3.10	7.94	19.10	25.40	45.70	6.80	9.00	15.90	25.40	36.60	24.60	35.45	7800
100	1-1/4"	31.75	19.05	19.05	30.10	3.90	9.52	23.80	56.55	11.0	19.80	31.75	44.90	31.80	44.00	11800		
120	1-1/2"	38.10	25.40	22.23	35.00	4.70	11.10	38.10	68.10	9.90	23.00	38.10	55.80	36.50	52.85	15500		
160	2"	50.80	31.75	28.58	48.00	6.40	14.28	50.80	90.70	13.20	31.80	50.80	71.80	50.80	70.10	27500		

Any special specifications, please feel free to contact us.

# DOUBLE PITCH ROLLER CHAIN ATTACHMENT

# DOUBLE PITCH ROLLER CHAIN ATTACHMENTS



CHAIN NO.	Pitch		Width		Roller		Plate		Pin		Attachment								Average Ultimate Strength kgf
	P		W	Dia	Height	Thick.	Dia	A-1,K-1								SA-1,SK-1			
	inch	mm	mm	R	H	T	D	N	O	O	C	X	Y	X1	Y1	S	Z		
C2040	1"	25.40	7.94	7.92	11.70	1.50	3.96	19.10	3.60	5.10	9.10	12.70	17.65	12.70	19.30	11.10	19.80	1850	
C2042	1"	25.40	7.94	15.88	11.70	1.50	3.96	19.10	3.60	5.10	9.10	12.70	17.65	12.70	19.30	11.10	19.80	1850	
C2050	1-1/4"	31.75	9.53	10.16	14.60	2.00	5.06	23.80	5.10	6.80	11.10	15.90	21.95	15.90	24.15	14.25	24.10	3100	
C2052	1-1/4"	31.75	9.53	19.05	14.60	2.00	5.06	23.80	5.10	6.80	11.10	15.90	21.95	15.90	24.15	14.25	24.10	3100	
C2060H	1-1/2"	38.10	12.70	11.91	17.10	3.10	5.95	28.60	5.10	8.70	14.70	21.45	28.20	21.45	31.45	17.50	31.55	4400	
C2062H	1-1/2"	38.10	12.70	22.23	17.10	3.10	5.95	28.60	5.10	8.70	14.70	21.45	28.20	21.45	31.45	17.50	31.55	4400	
C2080H	2"	50.80	15.88	15.88	23.00	3.90	7.94	38.10	6.80	10.30	19.10	27.80	36.52	27.80	40.70	22.20	40.50	8000	
C2082H	2"	50.80	15.88	28.58	23.00	3.90	7.94	38.10	6.80	10.30	19.10	27.80	36.52	27.80	40.70	22.20	40.50	8000	
C2100H	2-1/2"	63.50	19.05	19.05	28.90	4.70	9.52	47.60	8.7/11.0	13.50	23.40	33.35	44.75	33.35	49.90	28.60	50.40	12000	
C2102H	2-1/2"	63.50	19.05	39.67	28.90	4.70	9.52	47.60	8.7/11.0	13.50	23.40	33.35	44.75	33.35	49.90	28.60	50.40	12000	
C2120H	3"	76.20	25.40	22.20	35.00	5.60	11.10	57.20	10.3	14.80	27.80	39.70	54.40	39.70	60.70	33.30	59.90	16000	
C2122H	3"	76.20	25.40	44.45	35.00	5.60	11.10	57.20	10.3	14.80	27.80	39.70	54.40	39.70	60.70	33.30	59.90	16000	
C2160H	4"	101.60	31.75	28.58	48.00	7.20	14.28	76.20	13.20	19.60	36.50	52.35	70.20	52.35	77.80	44.40	78.60	27500	
C2162H	4"	101.60	31.75	57.15	48.00	7.20	14.28	76.20	13.20	19.60	36.50	52.35	70.20	52.35	77.80	44.40	78.60	27500	

Any special specifications, please feel free to contact us.

CHAIN NO.	Pitch		Width		Roller		Plate		Pin		Attachment								Average Ultimate Strength kgf
	P		W	Dia	Height	Thick.	Dia	A-2,K-2								SA-2,SK-2			
	inch	mm	mm	R	H	T	D	N	O	M	C	X	Y	X1	Y1	S	Z		
C2040	1"	25.40	7.94	7.92	11.70	1.50	3.96	19.10	3.60	9.50	9.10	12.70	17.65	12.70	19.30	13.60	19.80	1850	
C2042	1"	25.40	7.94	15.88	11.70	1.50	3.96	19.10	3.60	9.50	9.10	12.70	17.65	12.70	19.30	13.60	19.80	1850	
C2050	1-1/4"	31.75	9.53	10.16	14.60	2.00	5.06	23.80	5.10	11.90	11.10	15.90	21.95	15.90	24.15	15.90	24.10	3100	
C2052	1-1/4"	31.75	9.53	19.05	14.60	2.00	5.06	23.80	5.10	11.90	11.10	15.90	21.95	15.90	24.15	15.90	24.10	3100	
C2060H	1-1/2"	38.10	12.70	11.91	17.10	3.10	5.95	28.60	5.10	14.30	14.70	21.45	28.20	21.45	31.45	19.10	31.55	4400	
C2062H	1-1/2"	38.10	12.70	22.23	17.10	3.10	5.95	28.60	5.10	14.30	14.70	21.45	28.20	21.45	31.45	19.10	31.55	4400	
C2080H	2"	50.80	15.88	15.88	23.00	3.90	7.94	38.10	6.80	19.10	19.10	27.80	36.52	27.80	40.70	25.40	40.50	8000	
C2082H	2"	50.80	15.88	28.58	23.00	3.90	7.94	38.10	6.80	19.10	19.10	27.80	36.52	27.80	40.70	25.40	40.50	8000	
C2100H	2-1/2"	63.50	19.05	19.05	28.90	4.70	9.52	47.60	8.70	23.80	23.40	33.35	44.75	33.35	49.90	31.80	50.40	12000	
C2102H	2-1/2"	63.50	19.05	39.67	28.90	4.70	9.52	47.60	8.70	23.80	23.40	33.35	44.75	33.35	49.90	31.80	50.40	12000	
C2120H	3"	76.20	25.40	22.20	35.00	5.60	11.10	57.20	9.90	28.60	27.80	39.70	54.40	39.70	60.70	37.30	59.90	16000	
C2122H	3"	76.20	25.40	44.45	35.00	5.60	11.10	57.20	9.90	28.60	27.80	39.70	54.40	39.70	60.70	37.30	59.90	16000	
C2160H	4"	101.60	31.75	28.58	48.00	7.20	14.28	76.20	13.20	38.10	36.50	52.35	70.20	52.35	77.80	44.40	78.60	27500	
C2162H	4"	101.60	31.75	57.15	48.00	7.20	14.28	76.20	13.20	38.10	36.50	52.35	70.20	52.35	77.80	44.40	78.60	27500	

Any special specifications, please feel free to contact us.