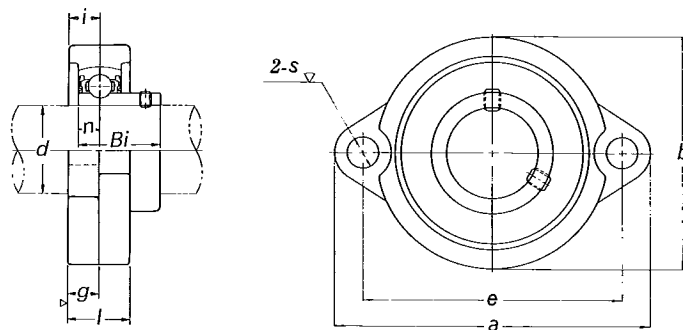


LIGHT DUTY RHOMBIC FLANGE UNITS (Cast Housing)

BLF 200 SERIES

set screw locking



UNIT NO.	SHAFT DIA. <i>d</i>		BEARING NO.	DIMENSIONS <small>inch mm</small>									BOLT SIZE <small>inch mm</small>	HOUSING NO.	WEIGHT <small>kg</small>
	<small>inch</small>	<small>mm</small>		<i>a</i>	<i>e</i>	<i>i</i>	<i>g</i>	<i>l</i>	<i>s</i>	<i>b</i>	<i>Bi</i>	<i>n</i>			
BLF201		12	SB201												
201-08	1/2		201-08												
202-09	3/16		202-09												
202		15	202	3 3/16	2 1/2	3/8	3/8	3 3/32	3/16	2 1/16	0.8661	0.2362	1/4	LF203	0.25
202-10	5/8		202-10	81	63.5	9.5	9.5	18	8	52	22	6	M6		
203		17	203												
203-11	1 1/16		203-11												
BLF204-12	3/4		SB204-12												
204		20	204	3 1/32	2 1/16	1/16	1/16	3 1/32	3/64	2 3/64	0.9843	0.2756	3/8	LF204	0.33
204			204	90	71.5	11	11	20	10	60	25	7	M8		
BLF205-14	7/8		SB205-14												
205-15	1 1/16		205-15												
205		25	205	3 1/4	2 3/64	1/16	1/16	3 1/32	3/64	2 1/32	1.0630	0.2953	3/8	LF205	0.38
205-16	1		205-16												
205-16			205-16	95	76	11	11	20	10	64	27	7.5	M8		
BLF206-18	1 1/8		SB206-18												
206		30	206	4 1/16	3 1/16	1 3/32	1 3/32	1/8	1 3/32	3	1.1811	0.3150	3/8	LF206	0.57
206-19	1 1/16		206-19	113	90.5	12	12	22.5	12	76	30	8	M10		
206-19			206-19												
BLF207-20	1 1/4		SB207-20												
207-21	1 1/16		207-21												
207-22	1 3/8		207-22												
207		35	207	4 1/16	3 1/16	3/64	1/2	1 1/16	1 3/32	3 1/2	1.2598	0.3346	3/8	LF207	0.77
207-23	1 1/16		207-23	122	100	13	13	24	12	89	32	8.5	M10		
207-23			207-23												

Note: 1) See page 154 for detail dimensions and basic load ratings of insert bearings.