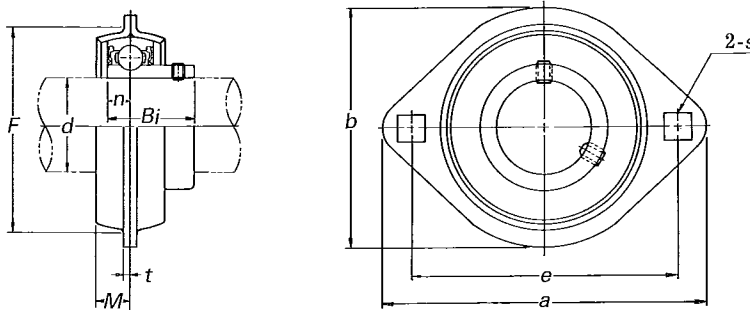


RHOMBIC FLANGE UNITS (Pressed Steel Housing)

SBPFL 200 SERIES

set screw locking



UNIT NO.	SHAFT DIA. <i>d</i>		BEARING NO.	DIMENSIONS <small>inch mm</small>									BOLT SIZE <small>inch mm</small>	HOUSING NO.	WEIGHT <small>kg</small>	
	inch	mm		a	e	<i>M</i>	<i>b</i>	<i>t</i> (mm)	<i>s</i>	<i>F</i> (min)	<i>Bi</i>	<i>n</i>				
SBPFL201		12	SB201													
201-08	1/2		201-08													
202-09	5/16		202-09	3 3/16	2 1/2	9/32	2 3/16	2	3/4	1 1/16	0.8661	0.2362	1/4	PFL203	0.19	
202		15	202	81	63.5	7	59	2	7.5	49	22	6	M6			
202-10	3/8		202-10													
203		17	203													
203-11	1/16		203-11													
SBPFL204-12	3/4		SB204-12	3 1/32	2 1/16	1/32	2 5/8	2	3/4	2 3/32	0.9843	0.2756	5/16	PFL204	0.24	
204		20	204	90	71.5	8.5	67	2	9	55	25	7	M8			
SBPFL205-14	7/8		SB205-14													
205-15	1/16		205-15	3 3/4	2 3/4	1/32	2 3/32	2	3/4	2 5/8	1.0630	0.2953	5/16	PFL205	0.28	
205		25	205	95	76	10	71	2	9	60	27	7.5	M8			
205-16	1		205-16													
SBPFL206-18	1 1/8		SB206-18	4 3/16	3 3/16	1/16	3 3/16	2.6	1 1/32	2 3/32	1.1811	0.3150	3/8	PFL206	0.38	
206		30	206	113	90.5	11.5	84	2.6	10.5	71	30	8	M10			
206-19	1 1/16		206-19													
SBPFL207-20	1 1/4		SB207-20													
207-21	1 3/16		207-21	4 1/16	3 1/16	1/2	3 1/16	2.6	1 1/32	3 3/16	1.2598	0.3346	3/8	PFL207	0.66	
207-22	1 3/8		207-22	122	100	13	94	2.6	10.5	81	32	8.5	M10			
207		35	207													
207-23	1 3/16		207-23													

Note: 1) See page 154 for detail dimensions and basic load ratings of insert bearings.