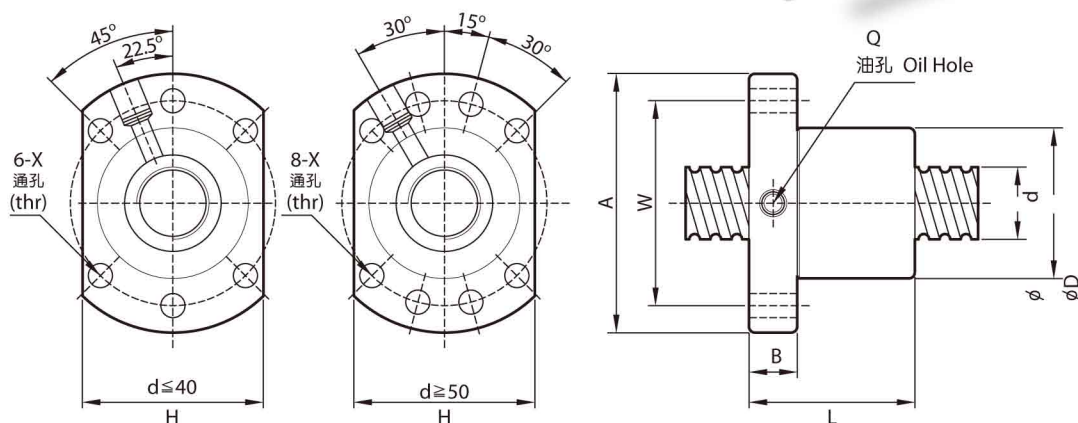


型式 TYPE

SFU

(DIN 69051 FORM B)



單位 (Unit) : mm

l: 導程 Lead Da: 珠徑 Ball Dia.

K: 剛性 Stiffness (Kgf/μm)

Ca: 動額定負荷 Basic Dynamic Rating Load (Kgf)

Coa: 靜額定負荷 Basic Static Rating Load(Kgf)

型號	滾珠螺桿、螺帽之基準數據 Dimensions														
Model No.	d	l	Da	D	A	B	L	W	H	X	Q	n	Ca	Cos	K
SFU1604-4	16	4	2.381	28	48	10	40	38	40	5.5	M6	4	629	1270	35
SFU1605-4		5	3.175	28	48	10	50	38	40	5.5	M6	4	780	1790	20
SFU1610-3		10	3.175	28	48	10	57	38	40	5.5	M6	4	721	1249	15
SFU2005-4	20	5	3.175	36	58	10	51	47	44	6.6	M6	4	1130	2380	25
SFU2010-3		10	4.762	36	58	10	65	47	44	6.6	M6	4	1149	2340	25
SFU2505-4	25	5	3.175	40	62	10	51	51	48	6.6	M6	4	1280	3110	35
SFU2510-3		10	4.762	40	62	12	65	51	48	6.6	M6	4	1430	2914	33
SFU3205-4	32	5	3.175	50	80	12	52	65	62	9	M6	4	1450	4150	40
SFU3210-4		10	6.350	50	80	12	90	65	62	9	M6	4	3390	7170	79
SFU4005-4	40	5	3.175	63	93	14	55	78	70	9	M8	4	1610	5330	49
SFU4010-4		10	6.350	63	93	14	93	78	70	9	M8	4	3910	9520	50
SFU5010-4	50	10	6.350	75	110	16	93	93	85	11	M8	4	4450	12500	65
SFU6310-4	63	10	6.350	95	125	18	98	108	95	11	M8	4	5070	16600	80
SFU8010-4	80	10	6.350	105	145	20	98	125	110	13.5	M8	4	5620	21300	90